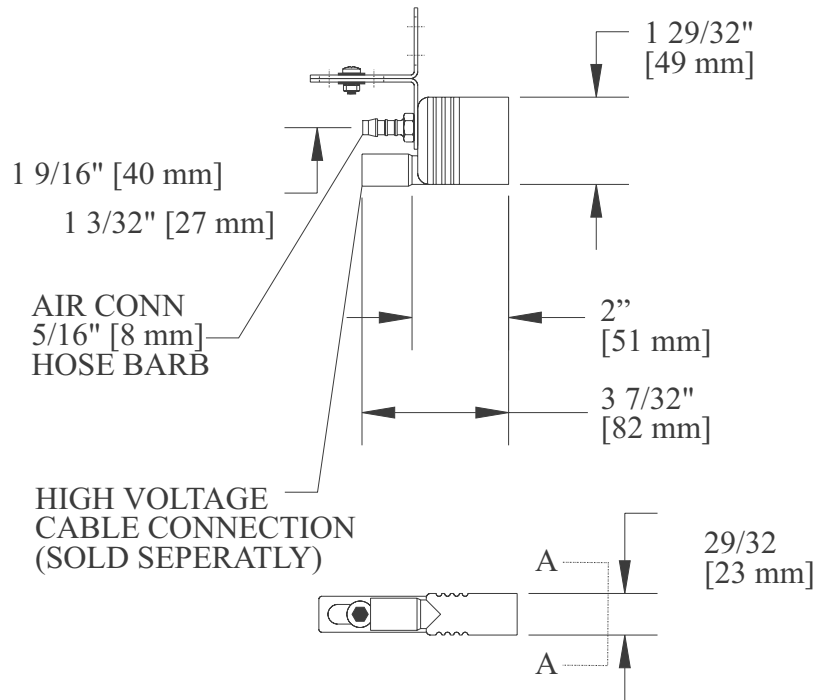
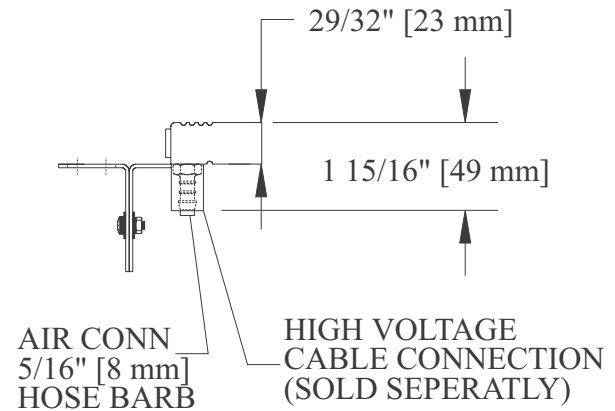


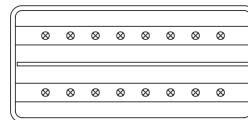
# AXIAL DESIGN



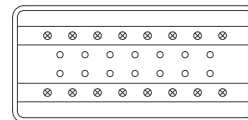
# RADIAL DESIGN



## VIEW A-A OUTLET OPTIONS



SLOTTED  
OUTLET



PERFORATED  
OUTLET

KEY

- IONIZING POINTS
- AIR SLOT
- AIR PERFORATIONS

|     |                     |                     |
|-----|---------------------|---------------------|
| A   | MFS<br>SRM          | ECN 453<br>09/14/00 |
| REV | CHECKED<br>APPROVED | ECN<br>DATE         |



the SIMCO company, inc.  
2257 NORTH PENN ROAD  
HATFIELD, PA 19440-1998

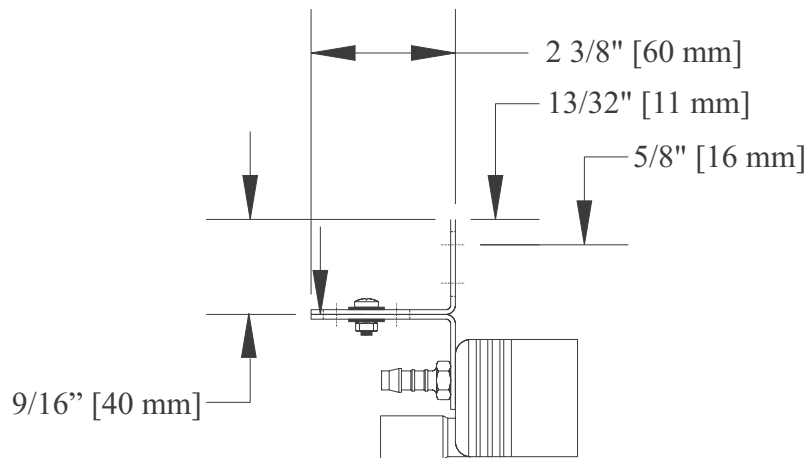
TITLE

R55 NOZZLE

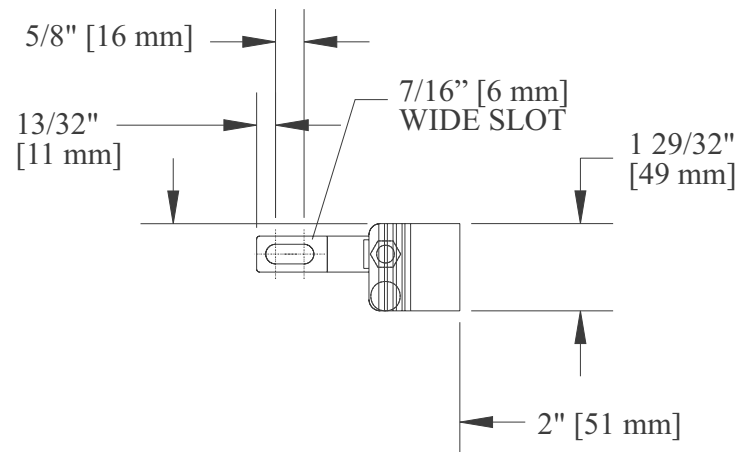
DRAWING NUMBER

5000834

# AXIAL DESIGN



# RADIAL DESIGN



2 of 2

|     |                     |                     |
|-----|---------------------|---------------------|
| A   | MFS<br>SRM          | ECN 453<br>09/14/00 |
| REV | CHECKED<br>APPROVED | ECN<br>DATE         |



the SIMCO company, inc.  
 2257 NORTH PENN ROAD  
 HATFIELD, PA 19440-1998

TITLE

R55 NOZZLE

DRAWING NUMBER

5000834